

10 9 8 7 6 5 4 3 2 1

F

E

D

C

B

A

F

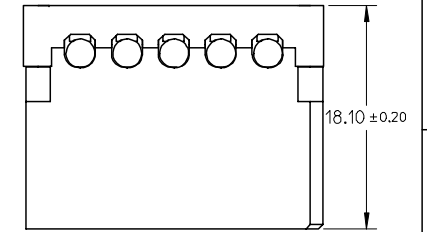
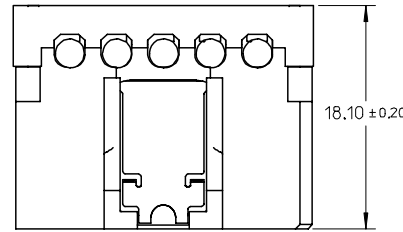
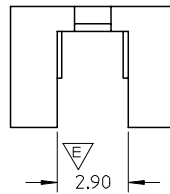
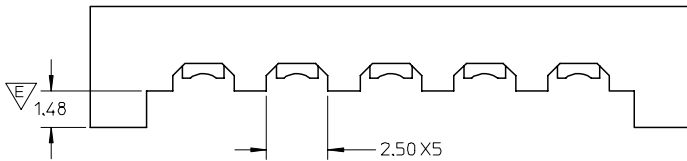
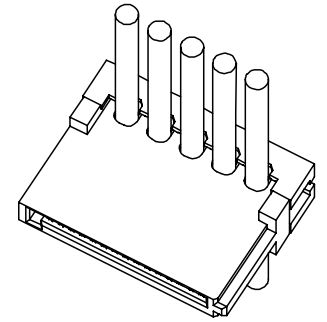
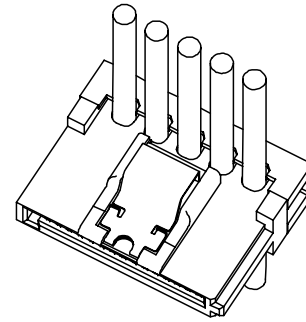
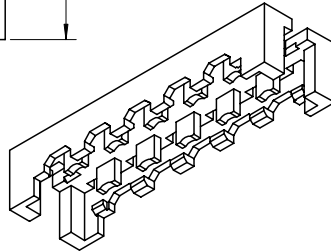
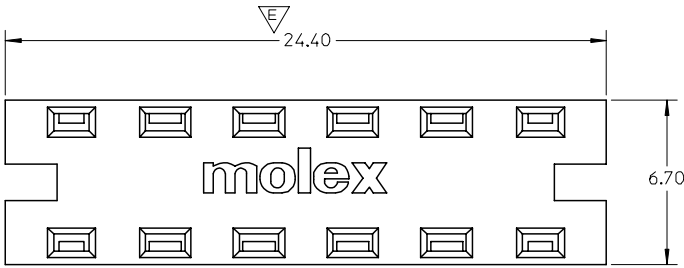
E

D

C

B

A



APPLICATION FOR WITH LATCH TYPE

APPLICATION FOR WITHOUT LATCH TYPE

NOTE

- 1 MATERIAL: THERMAL PLASTIC, COLOR : BLACK UL94V-0.
- 2 THIS COVER IS FEED THROUGH TYPE, IT IS AVAILABLE FOR 67926-000*/002*(WITH LATCH), 67926-001*(WITHOUT LATCH).
- 3 PACKAGE SPEC:
 - 3.1 1000 PCS IN ONE BAG.
 - 3.2 3000 PCS(3 PAGES) IN ONE INNER CARTON.
 - 3.3 12,000 PCS(4 INNER CARTONS) IN ONE OUTER CARTON.

REVISED	DESCRIPTION
EC NO: SH2007-0742	2007/04/13
DRWN: BCHENZ6	2007/04/16
CHKD: JTIAN	2007/04/16
APPR: JNCHEN	2007/05/04
REV	REV

QUALITY SYMBOLS	▽=0
	∇=0

GENERAL TOLERANCES (UNLESS SPECIFIED)	DIMENSION STYLE MM ONLY	
	mm	INCH
4 PLACES	± ---	± ---
3 PLACES	± ---	± ---
2 PLACES	± 0.15	± ---
1 PLACE	± 0.25	± ---
	ANGULAR ± 1 °	
DRAFT WHERE APPLICABLE MUST REMAIN WITHIN DIMENSIONS		

DRAWN BY	DATE
GRATE MA	2004/04/25
CHECKED BY	DATE
YA JUN	2004/04/25
APPROVED BY	DATE
SAM	2004/04/25
MATERIAL NO.	67926-0041

SCALE	DESIGN UNITS	THIRD ANGLE PROJECTION
5:1	METRIC	
TITLE COVER FOR SATA POWER CONNECTOR IDT TYPE		
MOLEX INCORPORATED		
DOCUMENT NO.	SHEET NO.	
SD-67926-004	1 OF 1	
THIS DRAWING CONTAINS INFORMATION THAT IS PROPRIETARY TO MOLEX INCORPORATED AND SHOULD NOT BE USED WITHOUT WRITTEN PERMISSION		

9 8 7 6 5 4 3 2 1